

SYNERGY EXTENSION KIT - SX20 / SX30 / SX40



WARNING: If you are installing accessories such as doors or drawers to the base unit, read all instructions for the accessory and install in conjunction with these instructions.

Parts

4 - Aluminum Posts

1 - Top Shelf

1 - Rear Panels

Adjustable Shelf (SX20 - 1) (SX30 - 2) (SX40 - 4)

Heavy Duty Shelf Bracket (SX40 - 2)

1 - Spacer Tool

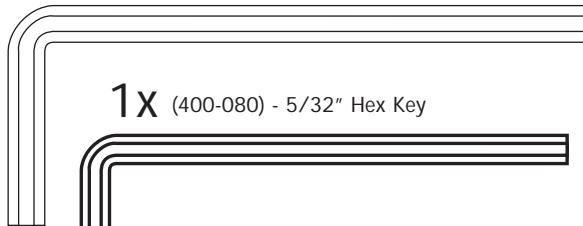
4x



(300-450)
Connector Bolt

1x

(400-060) - 3/16" Hex Key



1x

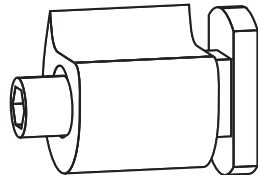
(400-080) - 5/32" Hex Key



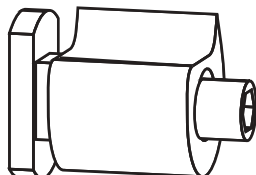
1x



(P-400-040) - Level



(PHK-380)
Shelf Peg "A" - Left
SX20 - 2x
SX30 - 4x
SX40 - 6x

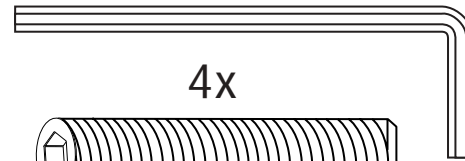


(PHK-370)
Shelf Peg "B" - Right
SX20 - 2x
SX30 - 4x
SX40 - 6x

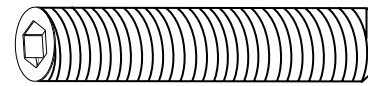
Rear Panel Bag - PHK-240

1x

(400-070) - 1/8" Hex Key

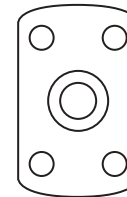


4x



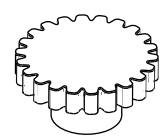
(300-510) - Stud

4x



(300-560)
Flat Nut

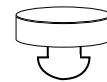
4x



(300-530)
ThumbNut

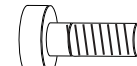
Rear Panel Bag - PHK-150 (Only SX40)

4x



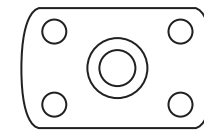
(300-610)
Rubber Tab

4x



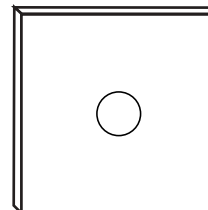
(300-490)
Low Head Screw

4x



(300-560) - Flat Nut

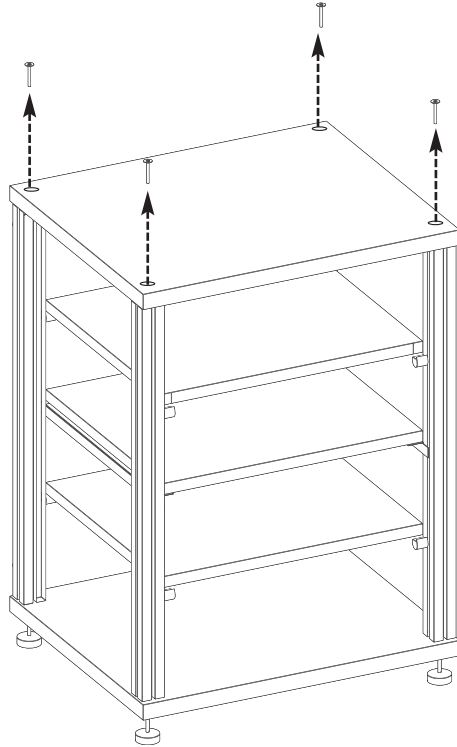
4x



(300-260) - Felt Pads

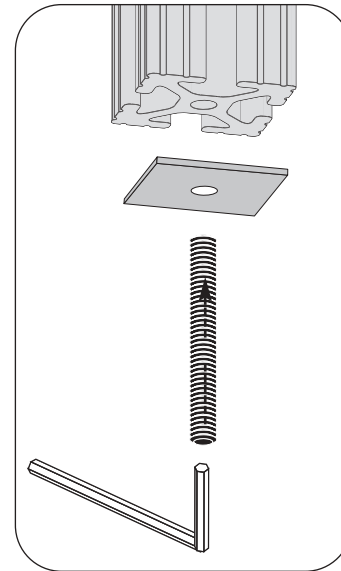
1 Remove Top Bolts

Remove the four connector bolts securing the top shelf. Save for Step 6.

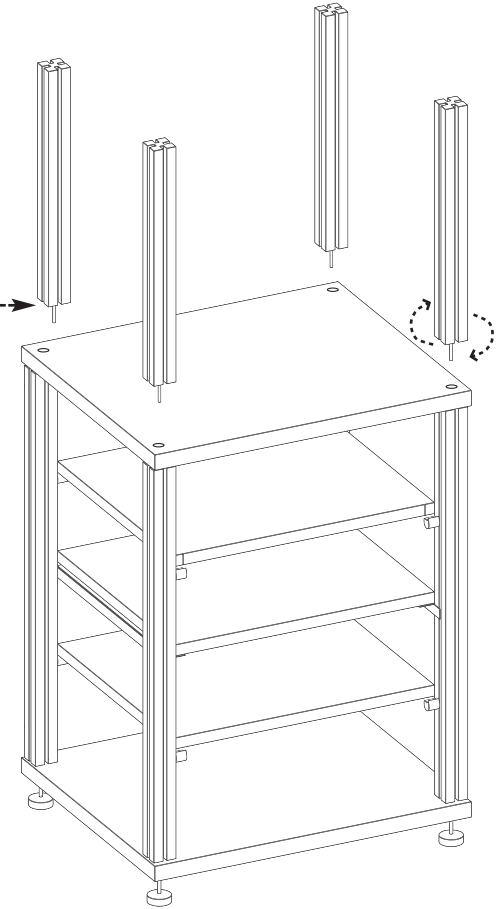


2 Attach Extension Post

- A.** Screw threaded studs into the ends of the posts. Tighten with hex key. Stick felt pads to underside of post, this will prevent marring the surface of the top shelf.



- B.** Screw the posts into the base unit. Be sure to square the post with the shelf. Do not over tighten.



Limited Warranty

For five full years Salamander Designs Ltd will repair or replace, at our option, any product defective in materials or craftsmanship. Salamander Designs Ltd. will not be responsible for any damage to or destruction of other equipment consequential to our equipment failure. Defective product must be given Return Authorization and is to be returned to the factory prepaid, in the original carton and packing material. Any damage incurred in a shipment not in original packaging shall be the responsibility of the owner. Warranty repairs will be returned prepaid, via UPS within the continental U.S.A. only.

Salamander Designs Ltd. 800-535-5659



www.SalamanderDesigns.com

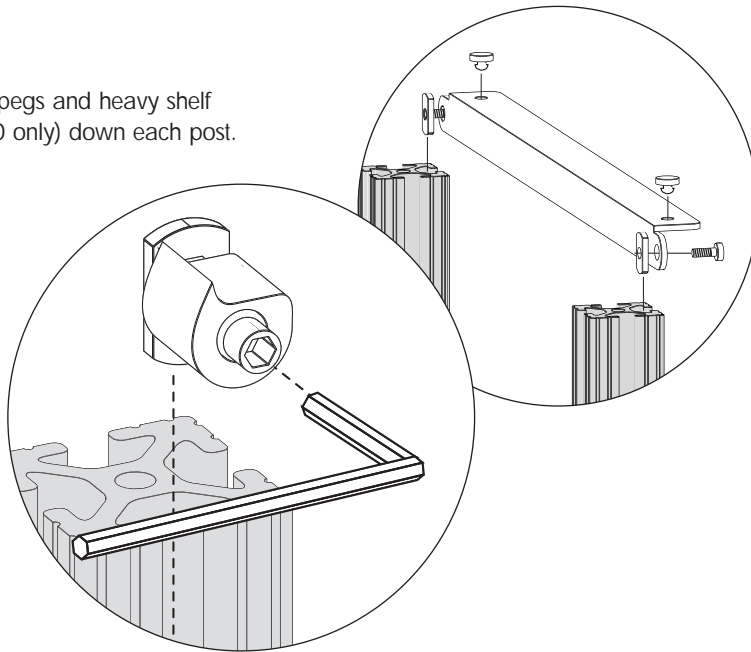
3 Add Shelf Pegs



WARNING: If you are installing an optional door or drawer refer to specific instructions before proceeding.

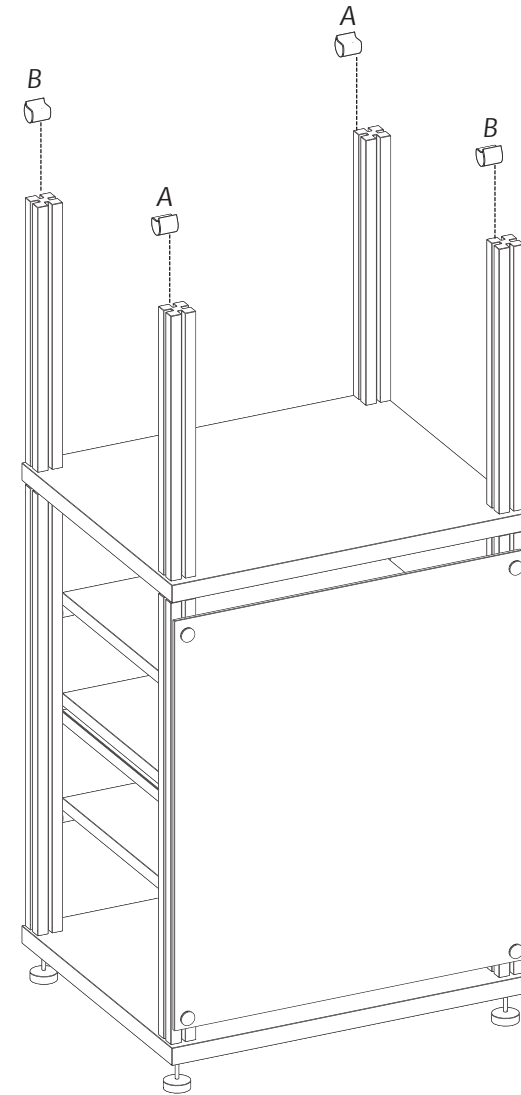
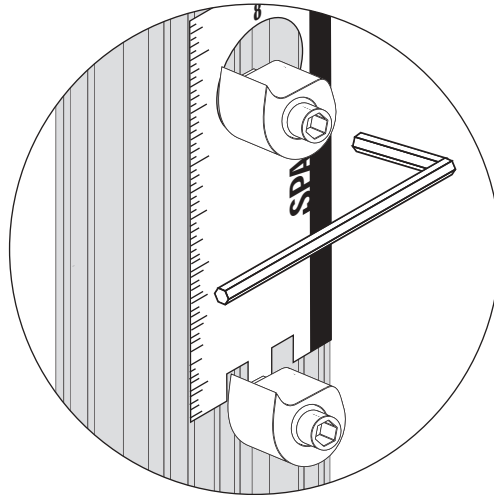
A.

Insert all shelf pegs and heavy shelf brackets (SX40 only) down each post.



B.

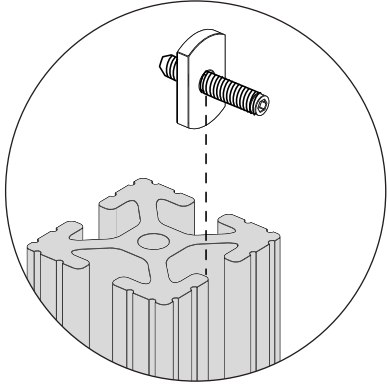
Position the peg through the Spacer to desired position and tighten. You may also consider using books or CD's for shelf spacing.



4 Insert Rear Hardware

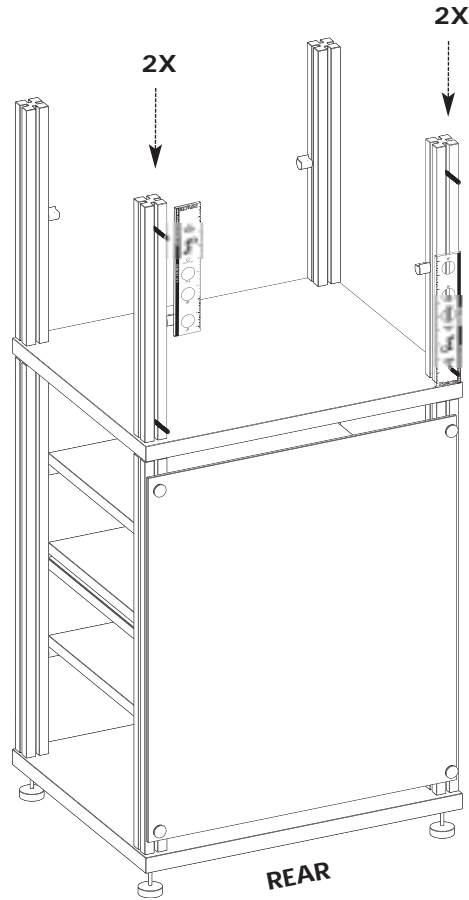
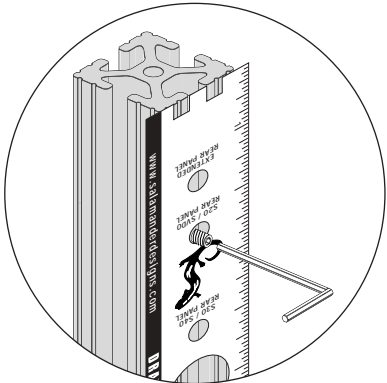
A. Insert Hardware

Combine the 1" threaded studs with the flat nuts. Slide hardware into rear channel



B.

Allow studs to remain loose at bottom of posts. Align the Spacer Tool at the top of the post and position top studs through the small "Rear Panel" hole. Secure the top 2 studs to the posts. Repeat this step with the bottom studs, aligning the Tool along the bottom of each post.



5 Final Assembly

STOP

Side Panels

Before enclosing the unit with the top shelf install side panels (if applicable). See Side Panel Instructions

A. Secure Rear Panel

Secure thumb nuts to finish panel installation.

B. Install Top

Insert the four connector bolts and tighten shelf down.

C. Placing Shelf

Place shelves from the bottom up. Angle the shelf in between the front post and set on top of shelf pegs and heavy duty brackets.

